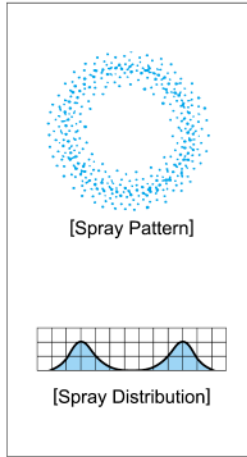


Extremely Fine Mist and Ultra-Small Capacity Hollow Cone Spray Nozzles

KBN

Hollow Cone



[Features]

- Ultra-small capacity hollow cone spray nozzle with the finest atomization among hydraulic nozzles.
- Minimal clogging with free passage diameter 1.3~2.6 times bigger than that of conventional nozzles.
- High-purity alumina ceramic tip provides stable performance with longer life even under high pressure conditions.

[Standard Pressure]

1.0MPa

[Applications]

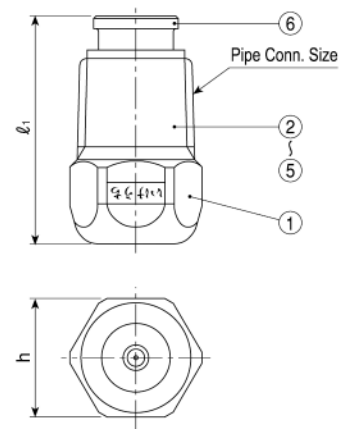
- Cooling : Poultry farms, Outside cooling, etc.
- Humidifying : Air handling units, greenhouses, etc.
- Spraying : Alcohol, disinfectant, etc.
- Others : Dust suppression, irrigation for greenhouse, etc.

KBN-series

KBN-series (with ceramic orifice inserted)	
Structure	<ul style="list-style-type: none"> • One-piece structure with one-shot injection molded ceramic orifice. • Thread is R$\frac{1}{4}$(PT$\frac{1}{4}$ male) or NPT $\frac{1}{4}$ male. • All models equipped with strainer and check valve.
Material	<ul style="list-style-type: none"> • Body : PA (polyamide) • Spray orifice : ceramic • Closer : polyester elastomer

Series	Pipe Conn. Size	Dimensions(mm)		Mass (g)
		ℓ_1	h	
KBN	$\frac{1}{4}$ M	27	14	4

[Note] Appearance and dimensions may differ slightly depending on materials and nozzle codes.



① Body ② Closer ③ Spring-S304 ④ Poppet-NBR
⑤ Strainer-S316 ⑥ Strainer holder-PP

Spray Angle Code	Spray Capacity Code	Pipe Conn. Size	Spray Angle				Spray Capacity (ℓ/hr)						Mean Drop. Dia. (μm)	Free Pass. Dia. (mm)	Strainer Mesh Size	Nozzle Color			
			0.5 MPa	1 MPa	1.3 MPa	2 MPa	0.5 MPa	0.6 MPa	0.8 MPa	1 MPa	1.3 MPa	2 MPa					3.5 MPa	5 MPa	7 MPa
80°	063	$\frac{1}{4}$ M	50°	80°	80°	80°	1.07	1.31	1.69	2.00	2.39	3.12	4.28	5.18	6.19	35	0.2	200	Orange
	125		60°	80°	80°	80°	2.19	2.68	3.47	4.10	4.90	6.39	8.77	10.6	12.7	5	0.3	100	Green
	22		65°	80°	80°	80°	3.88	4.75	6.13	7.25	8.67	11.3	15.5	18.8	22.4	60	0.4	100	Purple

*Check valve which closes and opens at 0.3MPa is built into the nozzle. (Nozzles without check valves are available.)

[Note]

The spray capacity of KBN nozzle is shown as ℓ/hr. The spray capacity code does not correspond with the spray capacity at the standard pressure.

How to order

Please inquire or order for a specific nozzle using this coding system.

〈Example〉... $\frac{1}{4}$ M(PT)KBN80125TPACVW

$\frac{1}{4}$ M (PT) KBN 80 125 TPA CV W

Thread Type: (PT) (NPT)
Spray Capacity Code: 063 125 22
Check Valve: CV (with Check Valve) — (without Check Valve)