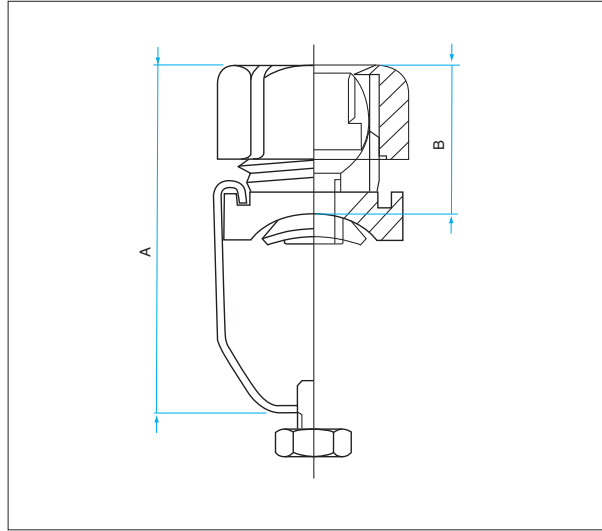


ATTACCHI RAPIDI A FASCETTA - FR/FRT2

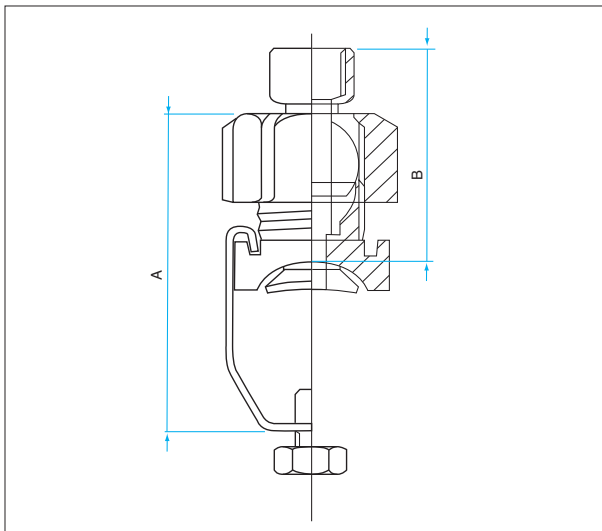
QUICK CLAMP CONNECTORS - FR/FRT2

FR



Tipo FR orientabile / FR revolving type
per tubo/for pipe Ø 1", 1"1/4, 1" 1/2, 2"

Ø TUBO PIPE	SFERA PORTA UGELLO / NOZZLE-HOLDER BALL			Ø SFERA / BALL	DIMENSIONI / DIMENSIONS		FORO SUL TUBO HOLE ON PIPE
	1/8" x	1/4" x	3/8" x		A	B	
1"	▼	▼		22	70	30	Ø 13
1"	▼	▼	▼	30	75	35	Ø 13
1" 1/4	▼	▼	▼	30	75	35	Ø 15
1" 1/2	▼	▼	▼	30	80	35	Ø 16
2"	▼	▼	▼	30	93	35	Ø 18



Tipo FR orientabile / FR revolving type
per tubo/for pipe 1/2", 3/4"

Ø TUBO PIPE	SFERA PORTA UGELLO / NOZZLE-HOLDER BALL		Ø SFERA / BALL	DIMENSIONI / DIMENSIONS		FORO SUL TUBO HOLE ON PIPE
	1/8" x	1/4" x		A	B	
1/2"	▼	▼	19	56	43	Ø 9
3/4"	▼	▼	19	63	43	Ø 11