



S.r.L.

Via Brignano, 41-  
24047 TREVIGLIO -BG- I



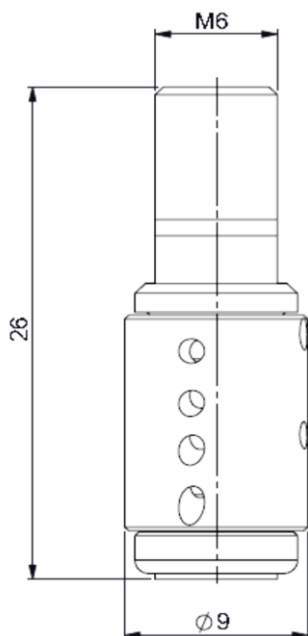
LICENZIATARIO ESCLUSIVO PER L'ITALIA



**PRODUCT SHEET 2931**

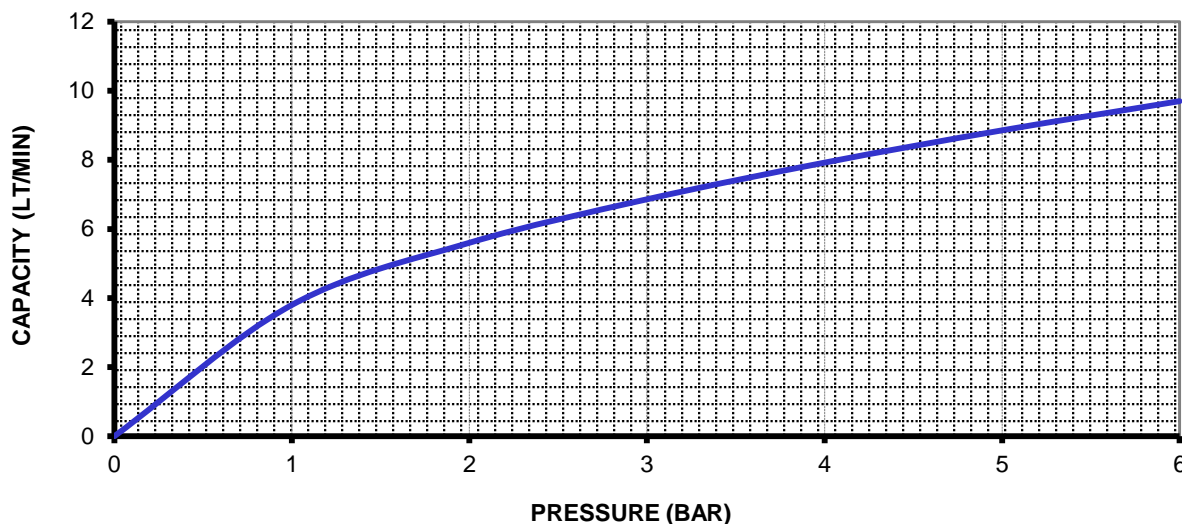
**Code AM6LSD9 - Description M6 mini rotating washing head**

**FEATURE**



SPRAY ANGLE	>300°
MATERIAL	AISI 316
SPRAY ALLOWANCE	±5%
DIMENSION ALLOWANCE	±0,2
DIMENSION:	SEEE DRAW
CONNECTION	M6 MALE

**FLOW DIAGRAM**



DATA TEST WITH H<sub>2</sub>O AT 20°C

**NOTE:**

DATE: 22/09/2016

REV. 0

ISSUE

UFF.TEC.

VERIFIED

APPROVED

